

## Accessories: Connectors BKS-B 20-1-

### Common Data

Version	Connector, angle, 3-pins
Usable with	on Sensors with connection S4 (DC, NO, M12)
Ambient temperature	-25°C...+85°C

### Mechanical Data

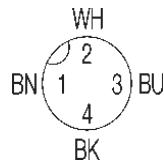
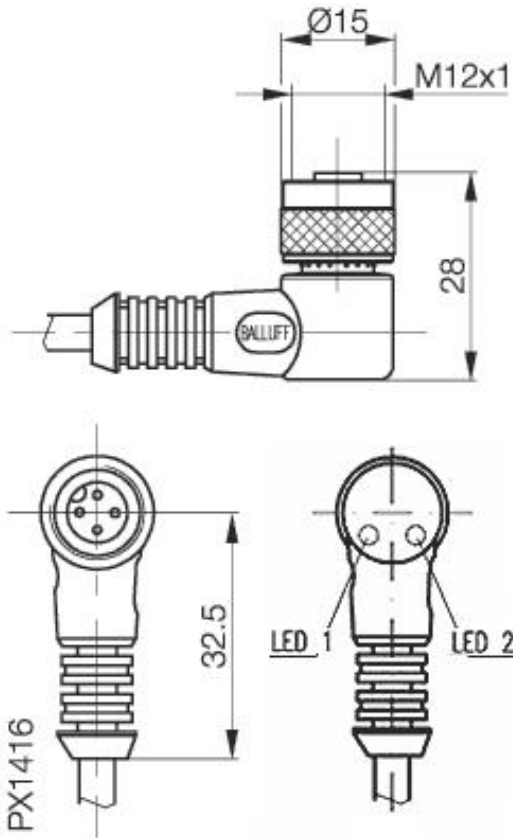
Material	PVC / PUR
Protection class per IEC 60529	IP67
Cable version	molded-on (3xLi12Y)-11Y-0/black
Conductor cross section	3x0,34

### Electrical Data

Supply voltage	125 AC/150DC
----------------	--------------

### Remarks

no



Datasheet number::

Definitions see general catalog.  
If not otherwise noted, ratings according to  
IEC 60947-5-2 (DIN EN60947-5-2)

Balluff GmbH  
Schurwaldstrasse 9  
73765 Neuhausen a.d.F.  
Phone (07158) 173-0 Fax (07158) 5010

Datenblatt by CD-ROM - 04/2007

**BALLUFF**  
sensors worldwide